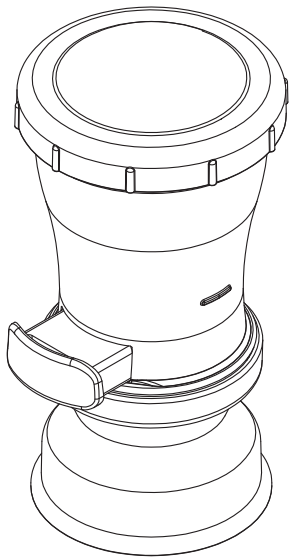
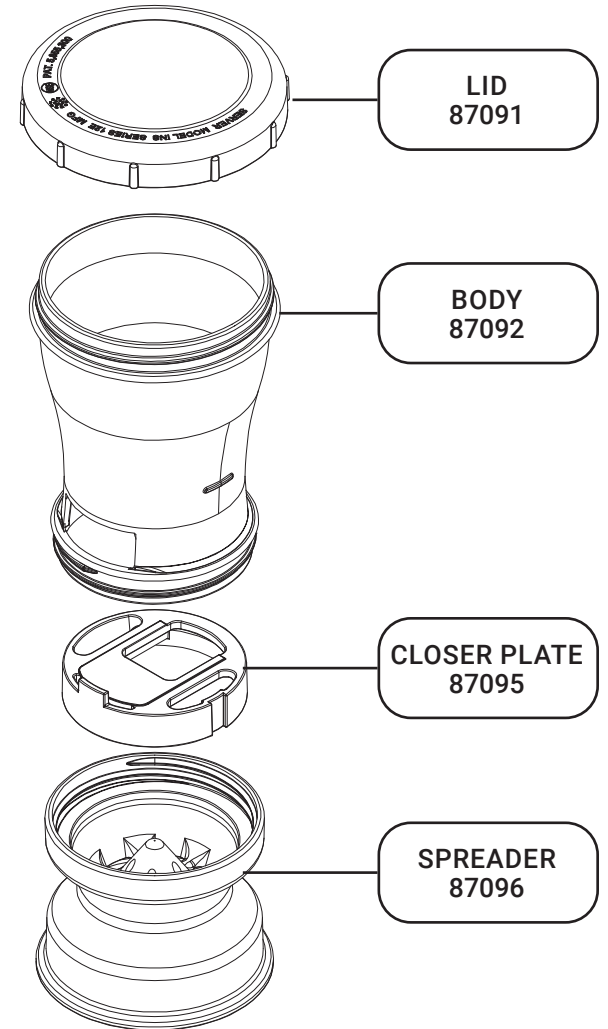


87100

InSeason
Spread-Wide
Disbursement
Pattern



Complete View for Reference



LID
87091

BODY
87092

CLOSER PLATE
87095

SPREADER
87096

TRIGGER ASSEMBLY
87126
GREEN, 1/2 TSP
PORTION

TRIGGER ASSEMBLY
87127
BLUE, 1/3 TSP PORTION

TRIGGER ASSEMBLY
87128
BLACK, 1/4 TSP
PORTION